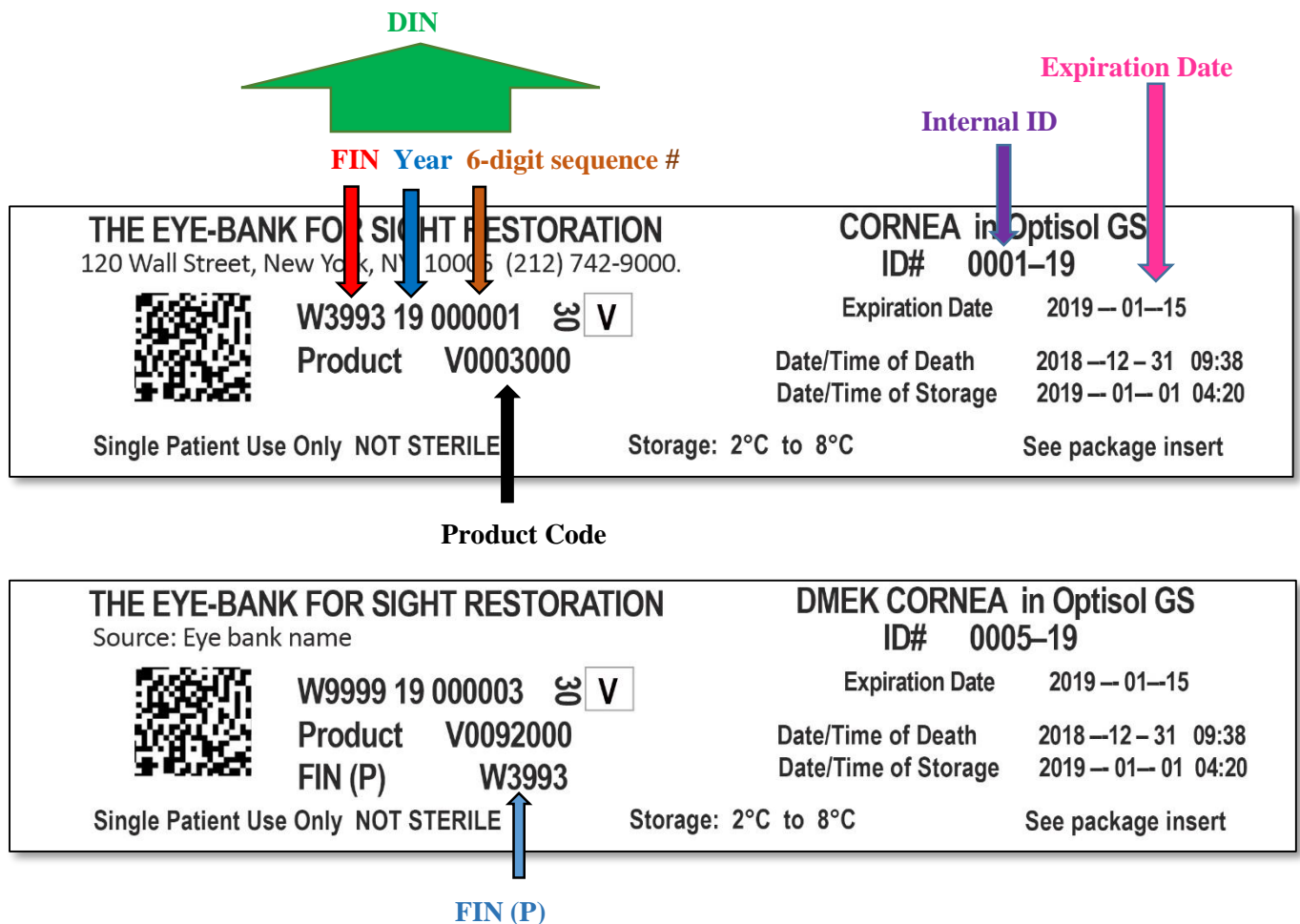


ISBT 128 Tissue Product Labels



The following must be included on the ISBT 128 label:

Donation Identification Number (DIN) – comprised for the FIN, the two-digit assignment YEAR and the six-digit sequence number.

Facility Identification Number (FIN) – identifies the recovery facility or both the recovery & processing facility, if they are the same. The Eye-Bank’s FIN is **W3993**.

6-digit sequence number is controlled and maintained by the facility assigning the DIN

Facility Identification Number- Processor FIN (P) – Cornea tissue processed by another eye bank retains the recovery facility FIN and adds a FIN (P) to identify the processor. The product code changes to identify processing performed.

Expiration Date – identifies the date the tissue expires.

Product Code – identifies the type of tissue and how it was processed.

Internal Identification Number (optional): A numbering system to identify each tissue is six-digits in length (i.e., XXXX-YR). “YR” represents the year the tissue was recovered.

Product Codes: listing the type of tissue storage details

V0003000 CORNEA / Right / Hypothermic storage	▶	Full thickness graft
V0004000 CORNEA / Left / Hypothermic storage		
V0089000 CORNEA / Anterior and posterior layers / Left / Hypothermic storage / Manual dissection	▶	DMEK graft
V0090000 CORNEA / Anterior and posterior layers / Left / Hypothermic storage / Microkeratome		
V0091000 CORNEA / Anterior and posterior layers / Right / Hypothermic storage / Microkeratome	▶	Pre-cut graft
V0092000 CORNEA / Anterior and posterior layers / Right / Hypothermic storage / Manual dissection		
V0120000 CORNEA / Posterior layer / Right / Hypothermic storage Manual dissection	▶	DMEK prepared pre-loaded graft
V0121000 CORNEA / Posterior layer / Left / Hypothermic storage Manual dissection		
V0069000 SCLERA / Right / Ambient storage / Ethanol / Whole	▶	Whole sclera
V0070000 SCLERA / Left / Ambient storage / Ethanol / Whole		
V0081000 SCLERA / Left / Ambient storage / Ethanol / Half	▶	Half sclera
V0082000 SCLERA / Right / Ambient storage / Ethanol / Half		
V0083000 SCLERA / Left / Ambient storage / Ethanol / Quarter	▶	Quarter sclera
V0084000 SCLERA / Right / Ambient storage / Ethanol / Quarter		